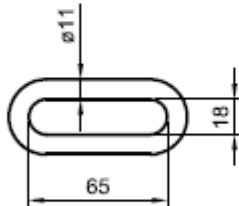
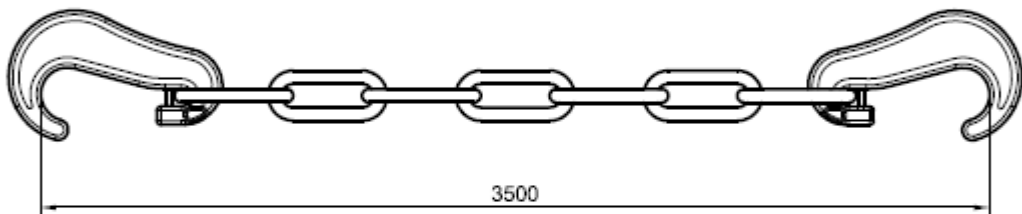


High & Heavy Lashings

Lashing Chain, $\varnothing 11\text{mm}$

Type: B2.52-11-35
BL 150 kN / MSL 75 kN



Scope of Application

For the lashing of heavy weight vehicles
or other heavy weight cargo.

General Data

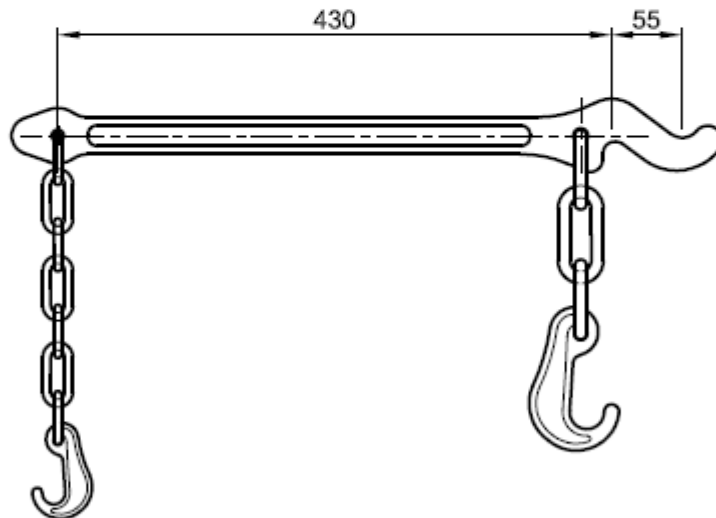
Min. BL:	150 kN
MSL:	75 kN
Length:	3.500 mm
Chain \varnothing :	11 mm
Material:	Steel
Color:	Orange
Weight:	10,3 kg



MEC Container Safety Systems GmbH
Friesenweg 4, Haus 4 - 22763 Hamburg - www.mec-seafastening.com - info@mec-lashing.de

Chain Spanner

Type: B2.48-11
BL 150 kN / MSL 75 kN



Scope of Application

For tensioning of 11 mm chains.

General Data

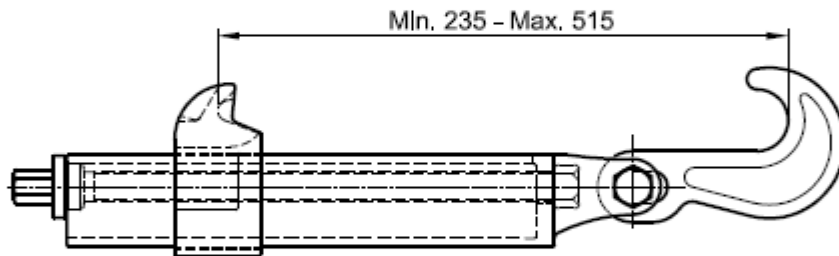
Min. BL:	150 kN
MSL:	75 kN
Material:	Steel
Color:	Orange
Weight:	4,0 kg

MEC[®]
RORO

MEC Container Safety Systems GmbH
Friesenweg 4, Haus 4 - 22763 Hamburg - www.mec-seafastening.com - info@mec-lashing.de

Quick Lash

Type: B2.43-20
BL 200 kN / MSL 100 kN



Nut SW 24 mm



Scope of Application

For quick tightening of lashing chains.

General Data

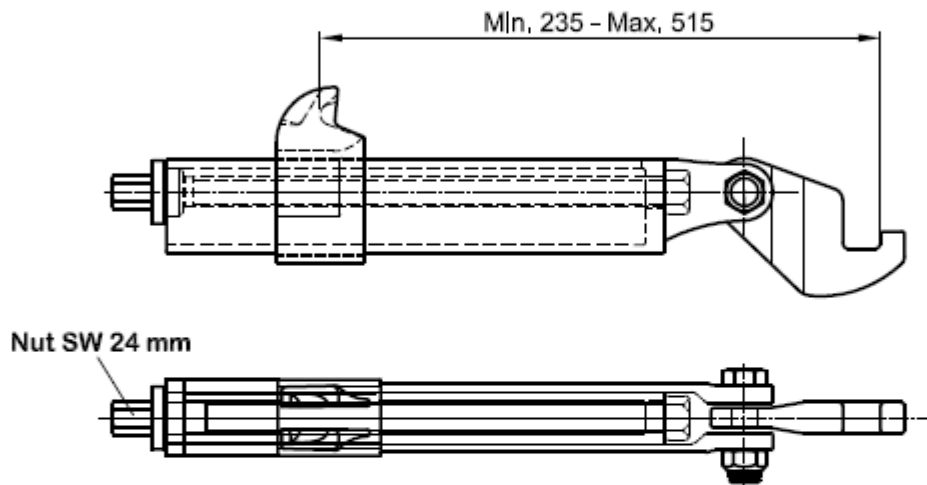
Min. BL:	200 kN
MSL:	100 kN
Length:	235 - 515 mm
Material:	Steel
Color:	Hot dip galvanized
Weight:	8,0 kg

MEC[®]
RORO

MEC Container Safety Systems GmbH
Friesenweg 4, Haus 4 - 22763 Hamburg - www.mec-seafastening.com - info@mec-lashing.de

Quick Lash

Type: B2.43-20-LH
BL 200 kN / MSL 100 kN



Scope of Application

For quick tightening of lashing chains.

General Data

Min. BL:	200 kN
MSL:	100 kN
Length:	235 - 515 mm
Material:	Steel
Color:	Hot dip galvanized
Weight:	8,0 kg



MEC Container Safety Systems GmbH
Friesenweg 4, Haus 4 - 22763 Hamburg - www.mec-seafastening.com - info@mec-lashing.de